

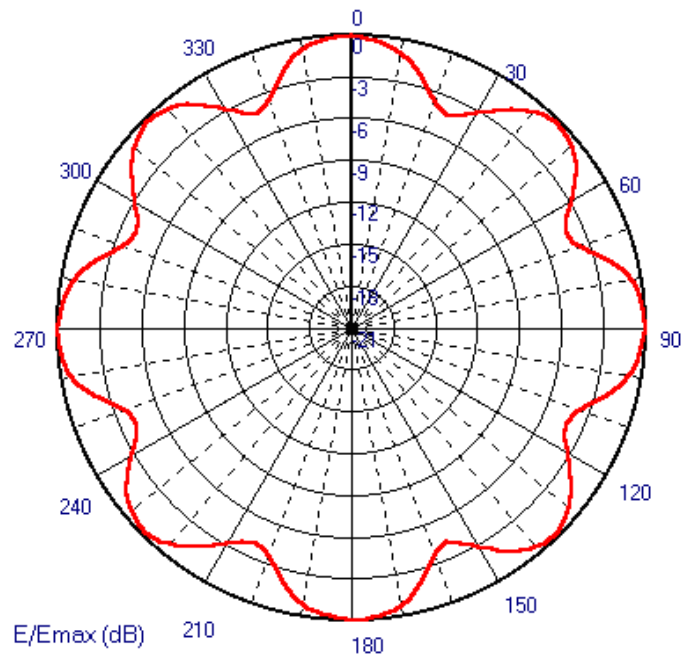


### Main Feature

- Frequency range: 2.2-2.3GHz, 2.5-2.7GHz
- Impedance: 50  $\Omega$
- Gain: 12 dBi
- Max. power: 2000 W
- VSWR: < 1.5
- Polarization: Horizontal/Vertical
- Beamwidth(Elevation): 5°
- Beamwidth(Azimuth): 360°
- Connector: N-F
- Radome color: white - other colors on demand
- Radome diameter: 130 mm
- Height: 1300 mm
- Weight: 30 kg
- Operation temperature: -40-+70°C
- Max.Wind velocity: 200 km/h



### Horizontal Pattern



### Vertical pattern

